



User Guide

2.4GHz 14dBi Directional Antenna

TL-ANT2414A

2.4GHz 9dBi Directional Antenna

TL-ANT2409A

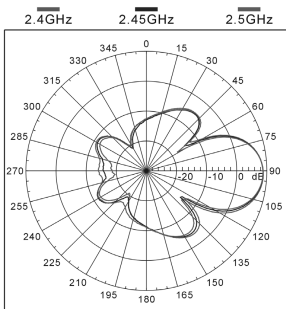
Specification

Electrical Specifications	
Frequency Range	2.4GHz to 2.5GHz
Impedance	50Ω Nominal
Gain	TL-ANT2414A: 14dBi TL-ANT2409A: 9dBi
VSWR	1.92 Max
Return Loss	-10dB Maximum
Radiation	Directional
Admitted Power	1W
Physical Specifications	
Cable	CFD-200 Coaxial Cable
Antenna Cover	ABS
Operating Temp	-20°C to 65°C
Storage Temp	-30°C to 75°C
Color	Gray
Connector	RP-SMA Plug (male)

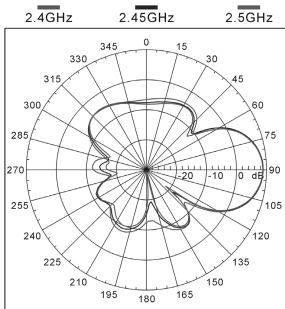
Field Pattern

TL-ANT2414A

Far-field amplitude of Golf-V14.nsi

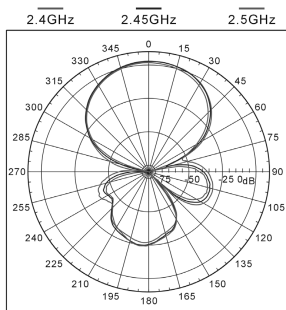


Far-field amplitude of Golf-H14.nsi

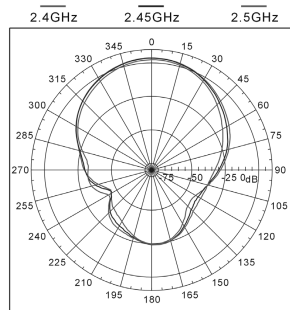


TL-ANT2409A

Far-field amplitude of MGS-DS-09-H-2-5.nsi



Far-field amplitude of MGA-DS-09-V-X2-4.nsi



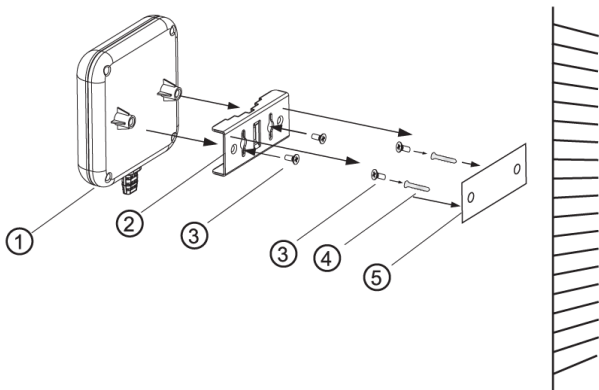
Installation

There are two methods to install the antenna: wall mounting and pole mounting.

Note: For simplicity, we will take TL-ANT2409A for example throughout the following introduction.

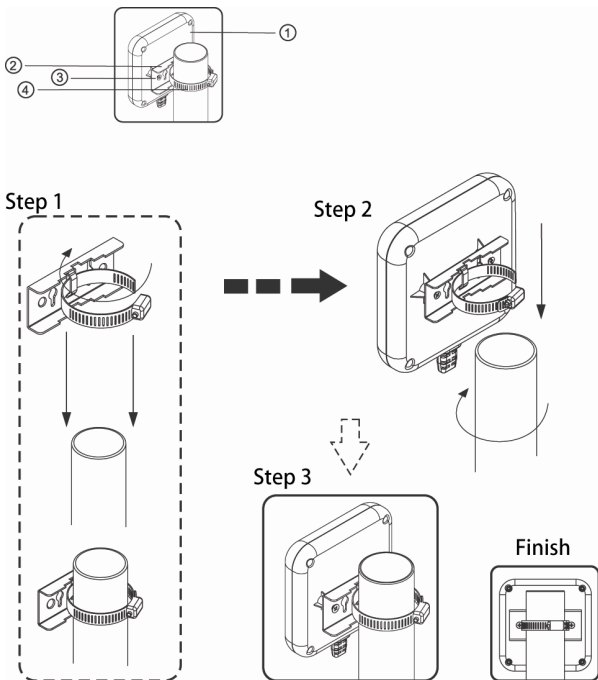
1. Wall Mounting

- | | |
|-------------------|-------|
| ① Antenna | 1 pc |
| ② Holder | 1 pc |
| ③ Screws | 4 pcs |
| ④ Plastic Fixings | 2 pcs |
| ⑤ Sticker | 1 pc |



2. Pole Mounting

- ① Antenna 1 pc
- ② Holder 1 pc
- ③ Screws 2 pcs
- ④ Hose Clamp 1 pc



EAC



For technical support and other information,
please visit <http://www.tp-link.com/support>, or
simply scan the QR code.